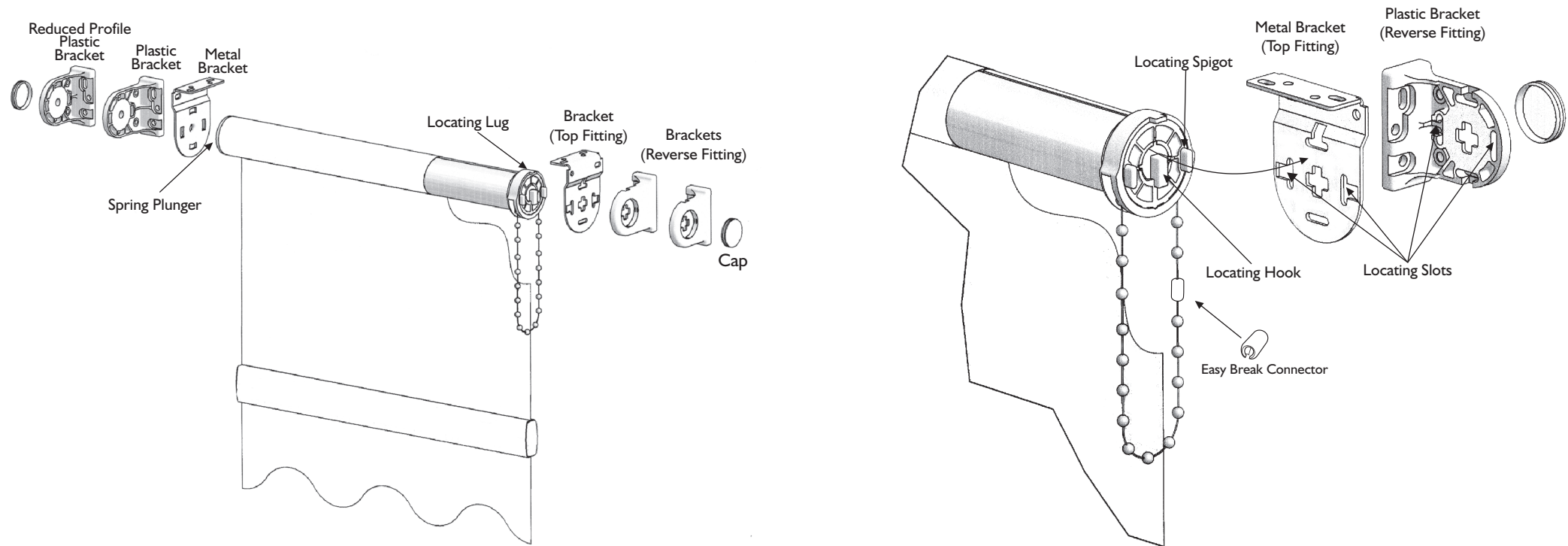


Side Control Roller Blind

Fitting and Operating Instructions

Before attempting to fit your window blind,
please read the instructions carefully.

Blinds with Side Control Chain



Fitting the Brackets

The bracket positions illustrated are for a blind with the control chain on the right hand side of the blind. For a blind with the control chain on the left, the brackets should be at the opposite ends. Brackets can be fixed to any flat surface above or behind the blind. They must be level to ensure the smooth operation of the blind. Check that the rolled up fabric will not touch any surface. To calculate the spacing between the brackets, add 35mm ($1\frac{3}{8}$ "") to the width of the blind fabric. Fix the brackets so that the **outsides** of the brackets are this distance apart.

Fitting the Blind

Hold the blind to the brackets with the fabric hanging from the back of the blind. Fit the spring plunger into its bracket. Push the blind into this bracket, depressing the plunger. With the locating hook pointing downwards place the hook into the vertical part of the '+' shaped hole in the bracket. Allow the hook to drop downwards so that it locks into place in the bracket.

IMPORTANT

In the interests of child safety it is advisable to keep all pull cords and chain-bead cords out of the reach of children. All of the Side Control Blinds are fitted with the Easy Break plastic chain connector. We would also recommend the use of a suitable cord tidy with each window blind